

6

5

4

3

2

1

Drawing Name:

Joseph

Revision Date:
08/27/2023

D

D

C

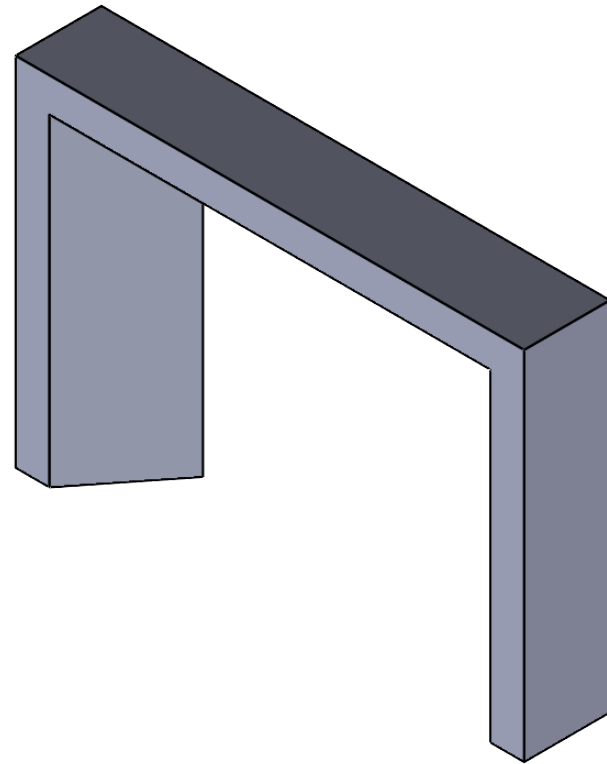
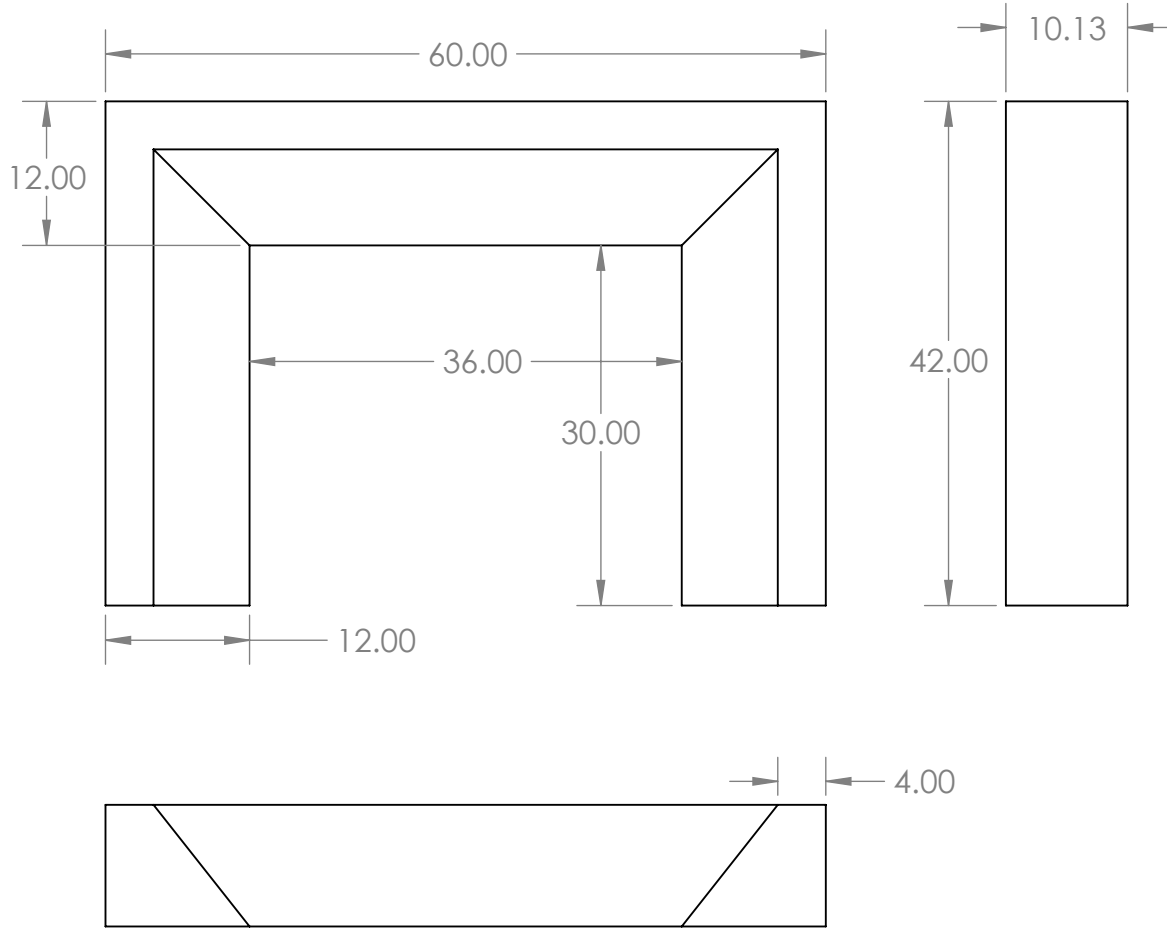
C

B

B

A

A



DO NOT SCALE DRAWING

SCALE:1:24

Copyright
 Pro Concrete Countertops
www.proconcretecountertops.com
dian@proconcretecountertops.com
 218.242.5398

6

5

4

3

2

1